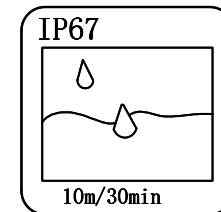
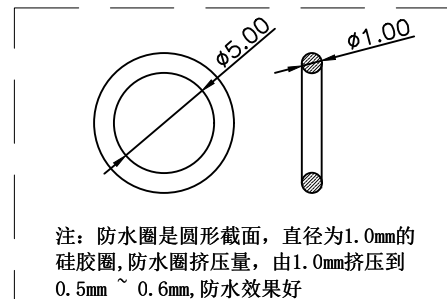
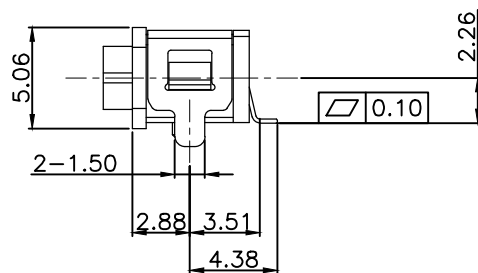
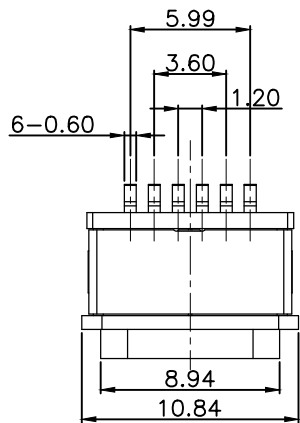
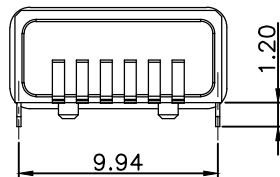
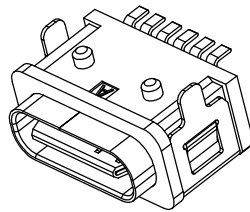
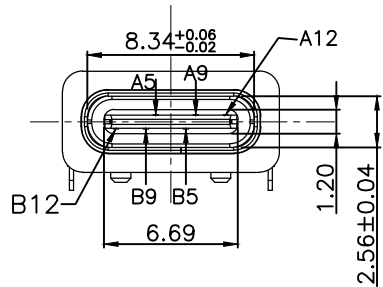




REV	DESCRIPTION	DATE	APPROVED
A	新版发行	2020. 11. 06	HHM

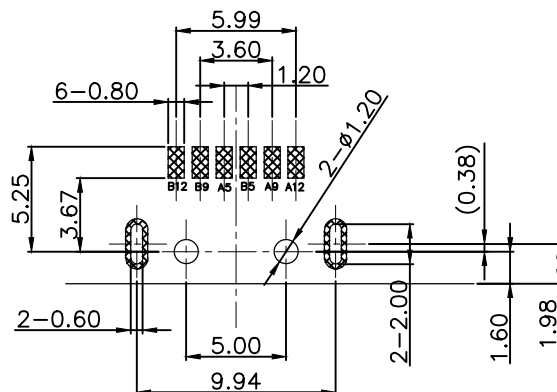
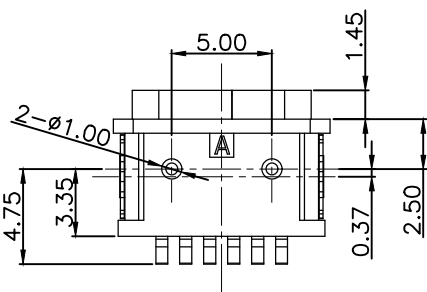
SPECIFICATION:

1. CURRENT RATING: 3.0A MAX
2. DIELECTRIC WITHSTAND VOLTAGE: 100VAC
3. TEMPERATURE RANGE: -30 ° C ~ 85 ° C
4. CONTACT RESISTANCE: 40 MILLIONHM MAX
5. INSULATION RESISTANCE: 100 MEGOHMS MIN.
6. INSERTION FORCE : 5N~20N
7. UNMATING FORCE: 8N~20N
8. DURABILITY:10,000 CYCLES
9. WATER PROOFNESS:THIS PRODUCT IS BASED ON IPX7.



注：防水圈是圆形截面，直径为1.0mm的硅胶圈，防水圈挤压力，由1.0mm挤压到0.5mm ~ 0.6mm，防水效果好

5	Shell2	1	SUS301 Ni Plating T=0.20mm	Ni:40u"Min;
4	Shell1	1	SUS301 Ni Plating T=0.25mm	Ni:40u"Min;
3	Housing2	1	PA10T (G. F30%)	
2	Contact	6	Phosphor bronze C5210R-EH Au/Ni Plating T=0.20mm	Ni:40u"Min; Au:CONTACT AREA:1u", OTHER AREA:G/F
1	Housing	1	PA10T (G. F30%)	
ITEM	PART NAME	Q' TY	FINISH	NOTE



Recommended P.C.B. Layout
Unspecified tolerance: ±0.05
(Top view)

A5	CC1	B12	GND
A9	VBUS	B9	VBUS
A12	GND	B5	CC2
PIN	SIGNAL NAME	PIN	SIGNAL NAME

CUSTOMER DRAWING		
UNITS mm	SCALE 1:1	SHEET 1 OF 1
PROJECTION: 	DRAW: DAP	
GENERAL TOLERANCE	CHECK: HWT	
.000 ±0.10	APPD: HHM	
.00 ±0.30		
.0 ±0.50		
.0 ±2°		
.00 ±1°		

铭创科技（东莞）有限公司 Mingchuang Technology (Dongguan) Co., Ltd.		
TITLE 防水TYPE C母座6PIN 板上两脚插板SMT L=7.3 全塑		
MAT'L SEE TABLE	FINISH SEE TABLE	
DWG. NO. B09W0602A	PART NO.	SIZE A4