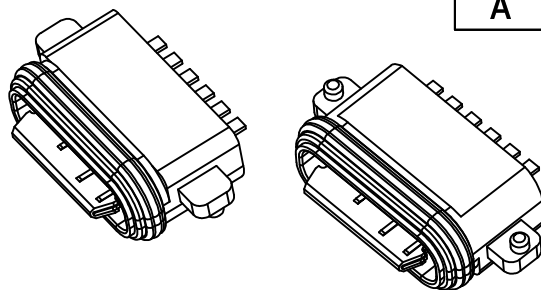
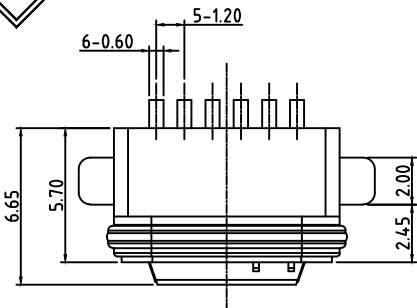


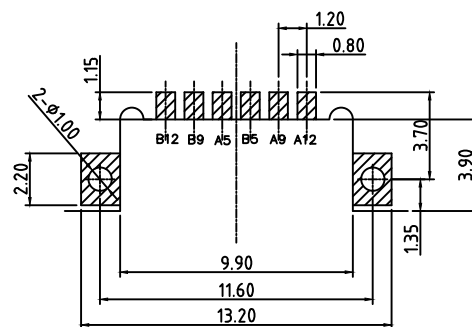
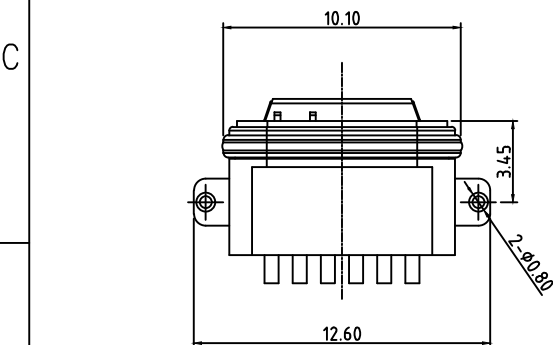
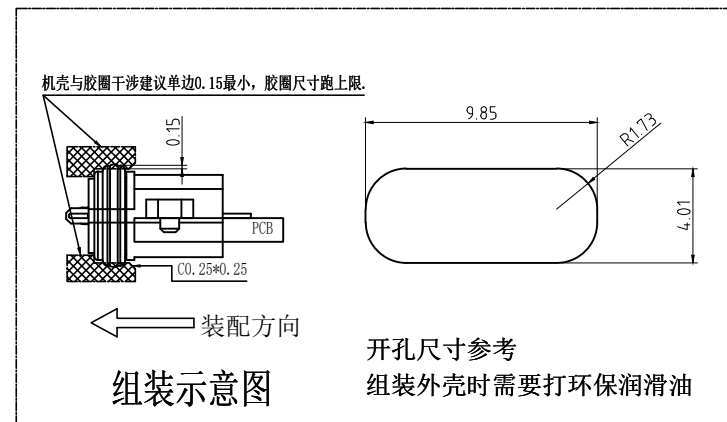
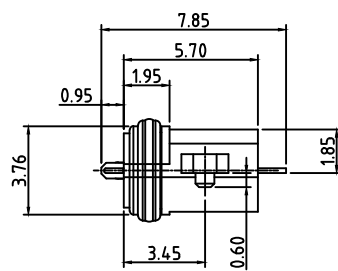
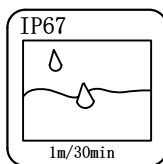
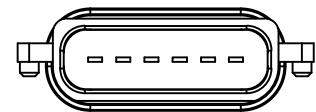
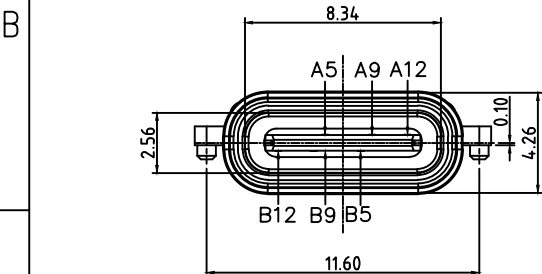


REV	DESCRIPTION	DATE	APPROVED
A	新版发行	2020.03.08	HHM



SPECIFICATIONS:

- ELECTRICAL CHARACTERISTICS:
 - RATING: 3A;
 - CONTACT RESISTANCE: 30 mΩ MAX. (INITIAL);
 - DIELECTRIC WITHSTANDING: 100V AC MIN.;
 - INSULATION RESISTANCE: 100MΩ MIN.;
- DURABILITY: 5,000 CYCLES MIN.;
- INSERTION FORCE: 5-20N;
- EXTRACTION FORCE: 6-20N;
- WATER PROOFNESS: THIS PRODUCT IS BASED ON IPX7.
- PLUG INTERFACE DIMENSIONS COMFORM TO USB2.0 SPEC.
- PACKAGING: TAPE & REEL.



3	Shell	1	Ni Plating	
2	Contact	6	Phosphor bronze Au/Ni Plating T=0.20mm	
1	Housing	1	PA10T (G. F30%)	
ITEM	PART NAME	Q' TY	FINISH	NOTE

A5	CC1	B12	GND
A9	VBUS	B9	VBUS
A12	GND	B5	CC2
PIN	SIGNAL NAME	PIN	SIGNAL NAME

RECOMMENDED P. C. B LAYOUT
TOP VIEW (TOLRANCE: ±0.05)

CUSTOMER DRAWING			铭创科技(东莞)有限公司 Mingchuang Technology (Dongguan) Co., Ltd.		
UNITS mm	SCALE 1:1	SHEET 1 OF 1	TITLE 防水TYPE C母座6PIN 沉板2.0 两脚插板SMT L=5.7 舌片外露 锌合金		
PROJECTION: 		DRAW: DAP	MAT'L SEE TABLE		FINISH SEE TABLE
GENERAL TOLERANCE 0. ±0.50 0.0 ±0.30 0.00 ±0.10 0.° ±2° 0.0° ±1°		CHECK: HWT	DWG. NO. B09W0605A		PART NO. _____
		APPD: HHM	SIZE A4		